

Plastica Winter Debris Cover Installation

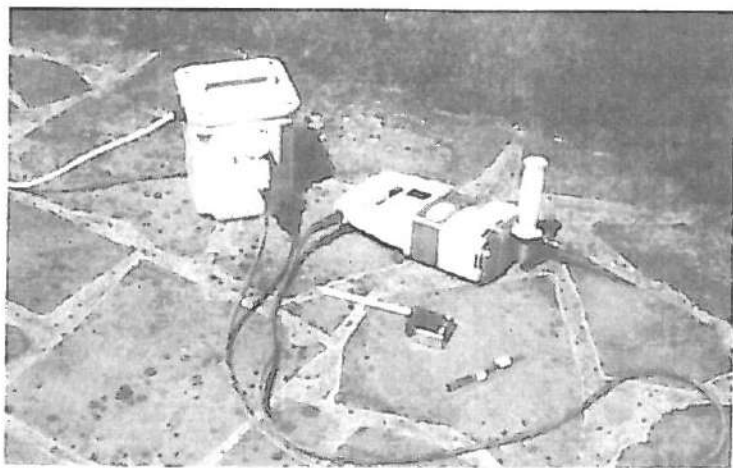
 *Plastica*

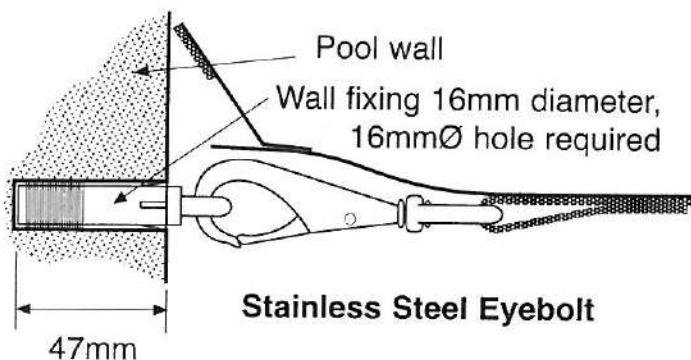
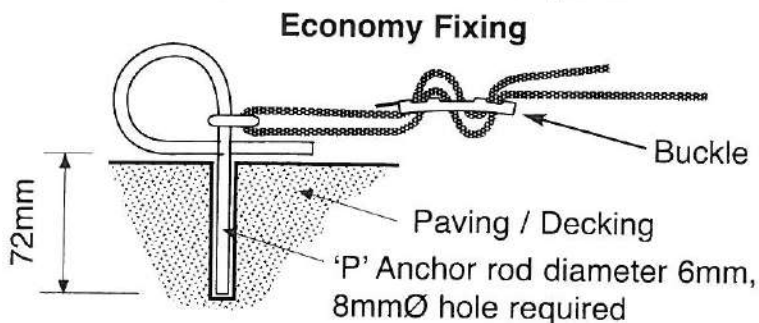
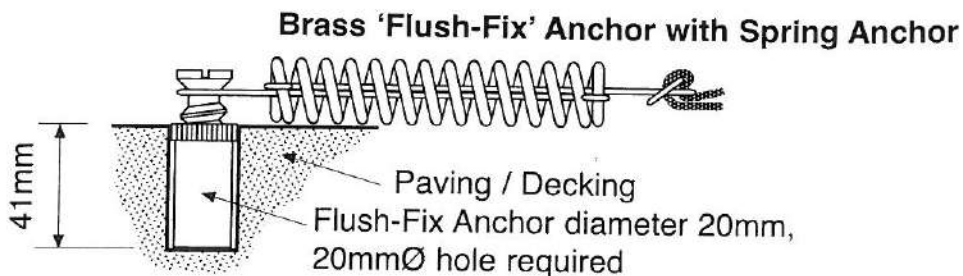
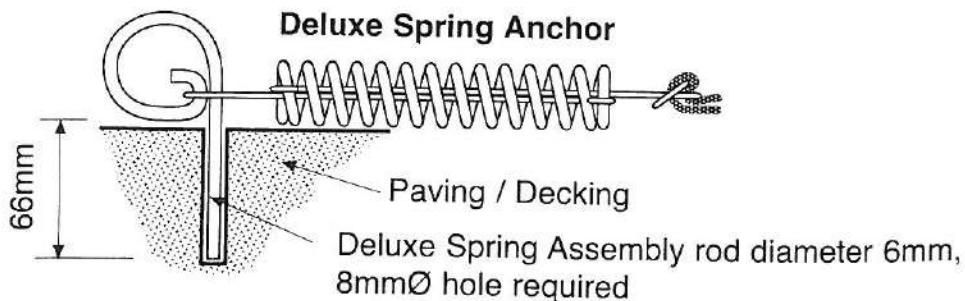
General Instructions & Requirements

Installation of your Plastica Winter Debris Cover is a reasonably simple task. What is required is for the cover to end up being held taught, like a trampoline, over the pool. Care should be taken to keep the straps pulling straight to keep the cover itself as ripple free as possible. This will ensure the best seal and the minimum of leaves and twigs ending up on or under the cover while in use.

The tools required are long and short measuring tapes, chalk for marking the deck and a suitable drill. The cover will require the deck surrounding the pool to be in good condition, with any paving slabs fixed securely to a solid base. A total minimum depth of 75mm (3") solid masonry is preferable. The drill and bit used will depend on the type of masonry in question and a number of different bits may be necessary to achieve a clean and accurate hole.

For our most popular fixing, the deluxe spring anchor, you will need to end up with an 8mm(5/16")Ø hole a minimum 66mm(2 5/8") deep. For other fixings see page 2 for details and drill bit sizes.

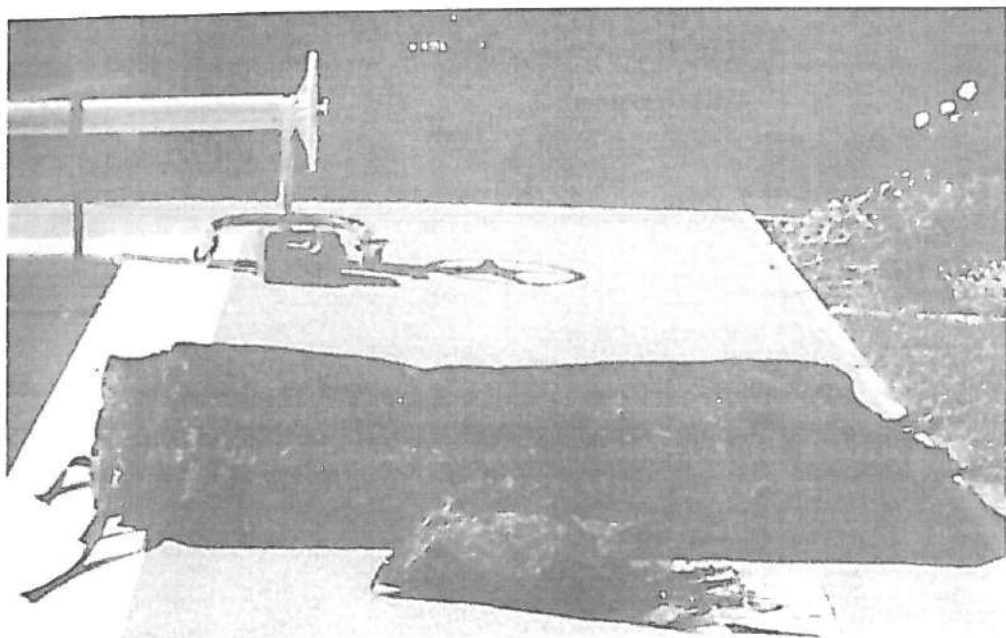




STEP 1. Preparing Pool

Remove any summer cover from pool surface area, clean and store away safely and securely. Winterise/close down pool ensuring correct chemicals are added to pool water and that plant and equipment are winterised as per the manufacturers instructions.

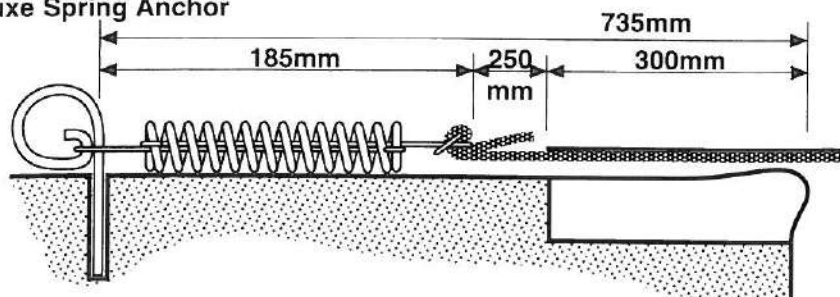
STEP 2. Unpack Cover



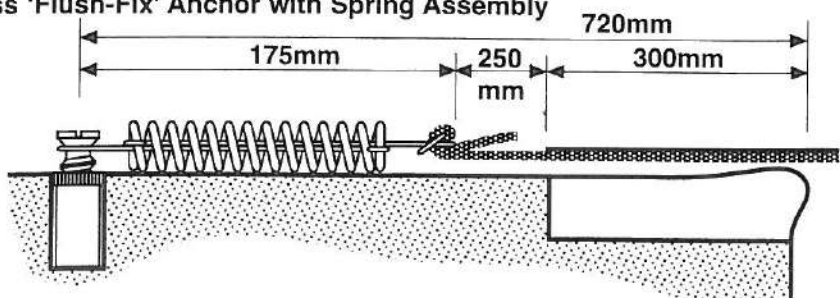
Remove your Plastica Winter Debris Cover from it's storage bag. Be especially careful not to drag the cover on the ground as this will damage the material. Packaged with the cover will be a box/bag containing all the fixings necessary to install your cover.

Measurements for the Standard 0.3m (1') Cover Overlap.

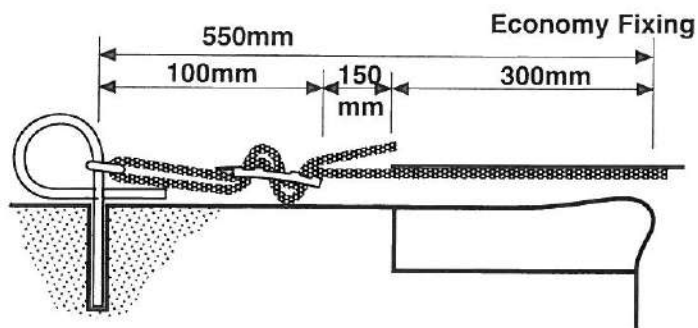
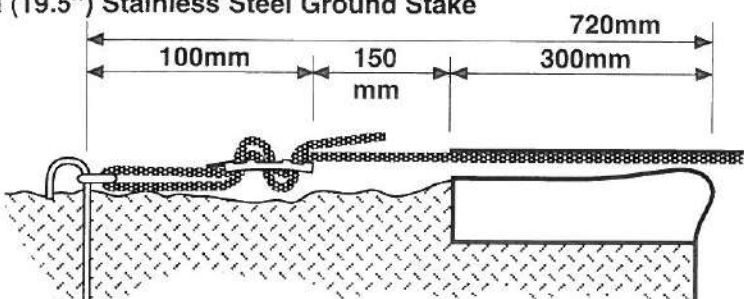
Deluxe Spring Anchor



Brass 'Flush-Fix' Anchor with Spring Assembly



0.5m (19.5") Stainless Steel Ground Stake

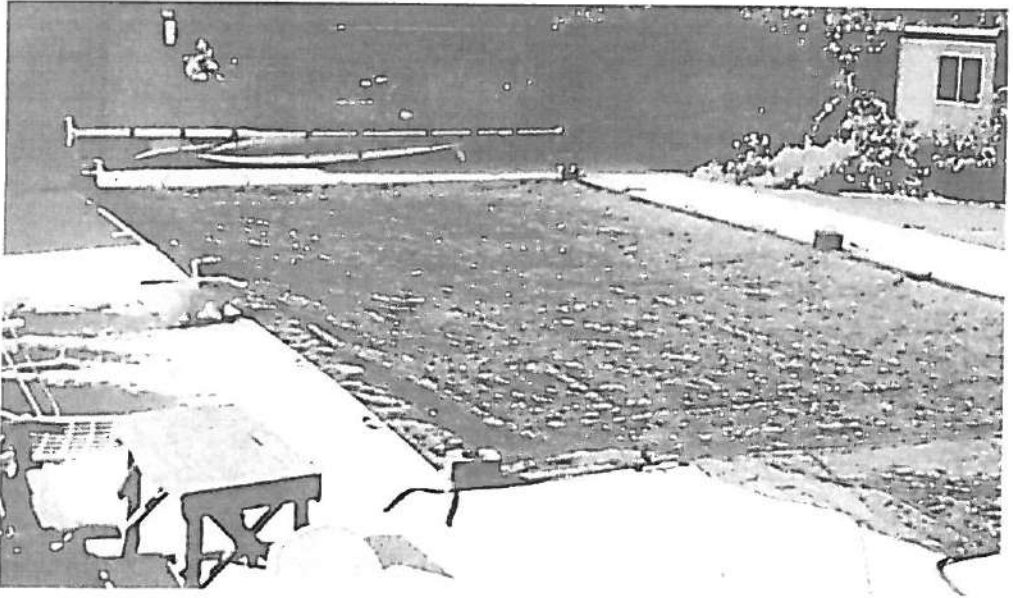


STEP 3. Positioning Cover onto Pool Area

Unroll your Plastica cover along the length side of the pool. There is a correct "way up", the reinforced corner sections and anti-chafing strips must be on the **underside** of the cover. The anti-chafing materials are there to act as abrasion resistant pads to protect the cover from rough surfaces around the perimeter of the pool.

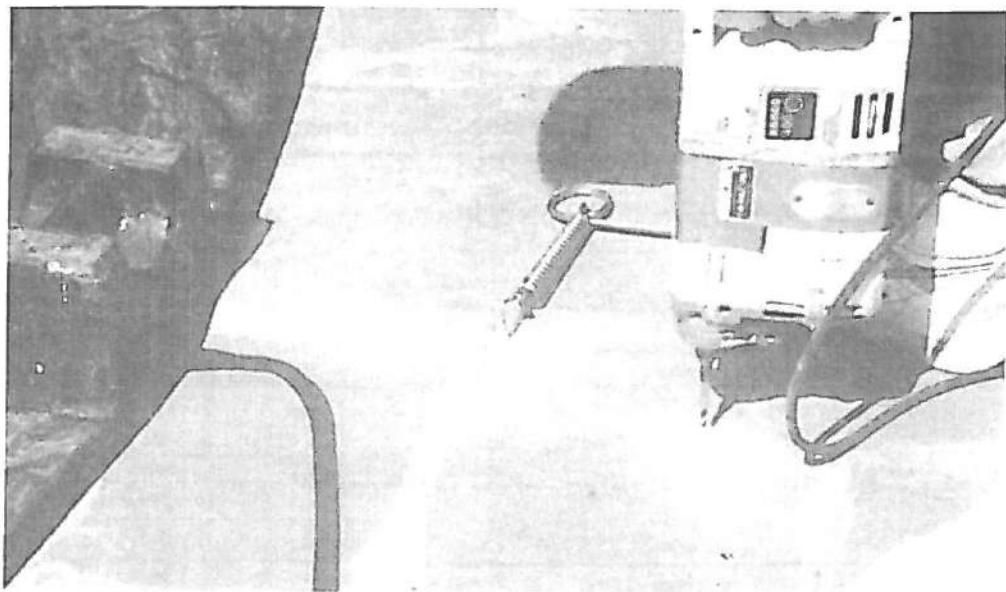
Your Plastica cover will normally be manufactured 0.3m (1') larger than the pool all round, this provides a barrier against leaves and debris.

STEP 4. Position the Cover using Weights

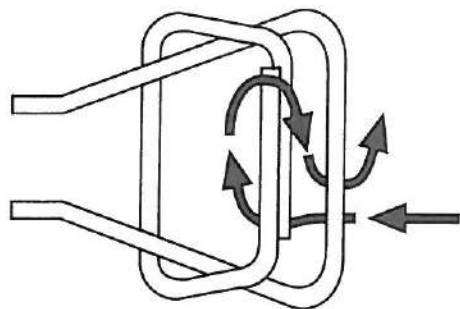


Use weights around the cover to hold it in position. Ensure cover is square with pool and has an equal overlap all around perimeter. This is especially important with freeform and shaped covers.

STEP 5. Drilling Fixing Holes



For a rectangular pool we recommend fixing the corners first then tensioning fixings. This will help “square up” the cover on the pool. For a shaped pool locate four fixing points, one at each extremity, then fix and tension. Continue around the cover until all fixings are installed.



There is a correct way of fixing Plastica Winter Debris Cover straps to a spring anchor. You must ensure the slide bar on the end of the spring is positioned as shown here when looking from above, with the join at the top. Then thread the strap through as the arrows show.

STEP 6. Tensioning the Straps

Ensure the fixings are threaded correctly on to the webbing straps (see diagram on previous page) and are tensioned to allow the cover to be taught across the pool area. The Plastica Winter Debris Cover should not rest on the water, it should be tensioned taught to form a consistent seal with the pool deck and allow leaves and debris to be "swept off".

Do not put chemicals through the pool cover. If chemicals need to be added to the pool, detach a corner of the cover and apply chemicals ensuring they are thoroughly circulated and mixed within the pool water, making sure you follow the manufacturer's instructions.

Winterising -

Removing and Storage of Winter Debris Cover

Before removing the cover ensure it is clean. Hose down with fresh tap water and remove any dirt deposits, then allow to dry thoroughly.

To remove the cover simply remove the fixings from their drilled sockets or fixings, fold back to the next fixing until the cover is completely off the pool. Remove all detachable fixings, these may damage the cover material if "rolled up" within the cover. Place the folded and rolled up cover into the storage bag provided.

Store cover in a safe and secure place, like a dry outhouse or garage to avoid excessive heat, freezing or vermin. Pack fittings separately so as to avoid damaging the cover. It is best to store your cover away from direct sunlight as the ultra violet rays from bright summer sunlight will age the cover prematurely. Unless absolutely necessary we recommend the cover is not left on the pool during the summer season.

Should you require a solar gain or heat retention cover for the summer season please contact your local supplier for full details on the range of summer covers and reel systems that Plastica manufacture.

Notes:

Our policy on design of products is directed towards continuous development, we therefore reserve the right to change the relative specification.